

ADA-COMPLIANT FULL SPECTRUM SAUNA

Our True Wave™ heating technology is now available in our ADA compliant Sanctuary Retreat.

TRUE WAVE™ FULL SPECTRUM HEATERS

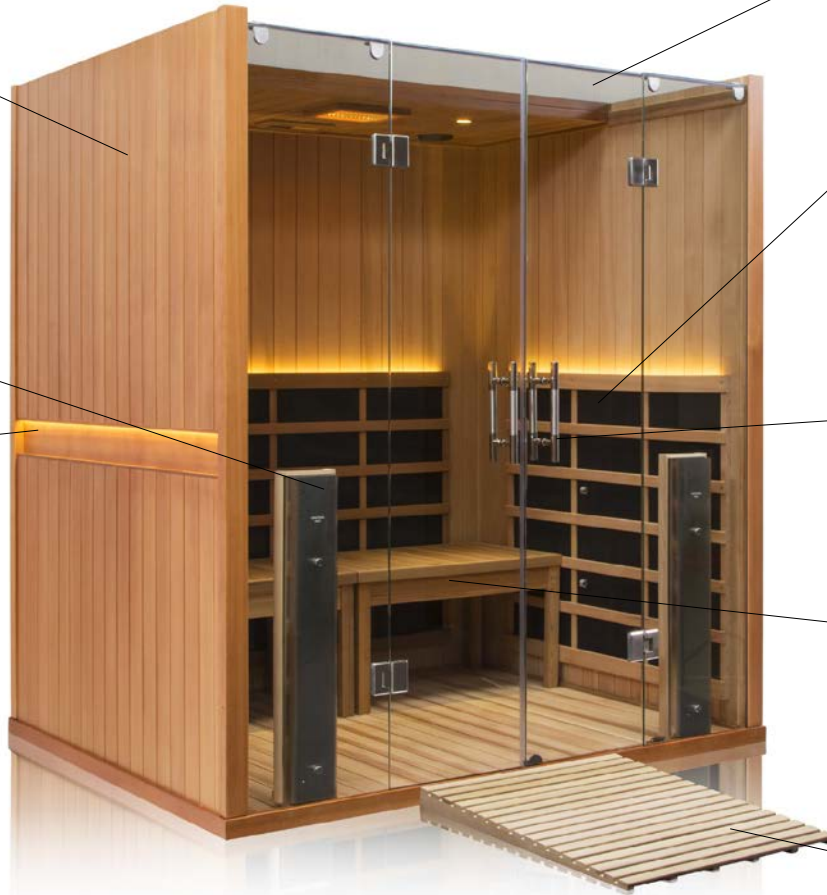
Our full spectrum near, mid and far infrared heaters deliver over 25 times the power of the nearest leading competitor. Our patent pending heating system allows for the deepest penetration with peak performance for the best results.

BEAUTIFUL ACCENT LIGHTS

Energy efficient LED lights highlight the beauty of your sauna while providing gentle ambient lighting.

INTERIOR MID-LEVEL CONTROL PANEL

The interior electronic control panel has been positioned heater high. This allows full sauna control from a seated position.



ITALIAN INSPIRED DESIGN AND GLASS ROOF

The open feel and beautiful design of your Sanctuary sauna will compliment every room.

THERAPEUTIC FAR INFRARED HEATERS

Our exclusive True Wave™ hybrid Carbon & Ceramic low EMF / low ELF heaters surround you in healing infrared heat.

STEEL VERTICAL DOOR HANDLES

Our ADA compliant high-quality steel door handles offer a sleek and modern look.

TWO REMOVABLE BENCHES

Relax in comfort with two removable 89 cm benches or remove the benches for easy wheel chair access.

PORTABLE WOOD WHEELCHAIR RAMP

A durable 1:12 wheelchair ramp makes entering and exiting the sauna easy and safe.

ENHANCED AUDIO SOUND SYSTEM



Bluetooth and AUX inputs make it easy to connect and listen to your audio devices.

DIGITAL KEYPAD CONTROLS



Never Fail™ digital keypad controls temperature, time, lights, heater intensity and reservation mode.

COLOUR LIGHT THERAPY



Your Sanctuary sauna comes with medical grade Chromotherapy as standard.

TABLET / SMARTPHONE CONTROL



(Optional) Log in from your Android, tablet or smartphone and remotely operate your sauna.

SPECIFICATIONS

Construction

Eco Certified Grade "A" Clear Western Red Canadian Cedar
8 mm thick tempered safety glass doors & windows
Weight: 354 kg

Exterior

Width: 194 cm
Depth: 164 cm
Height: 217 cm

Interior

Width: 181 cm
Depth: 155 cm
Height: 206 cm
Bench (2):
89 cm x 56 cm

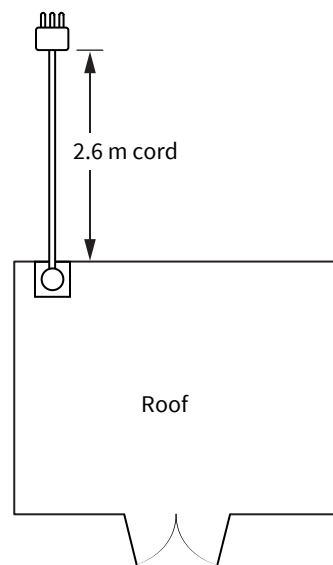
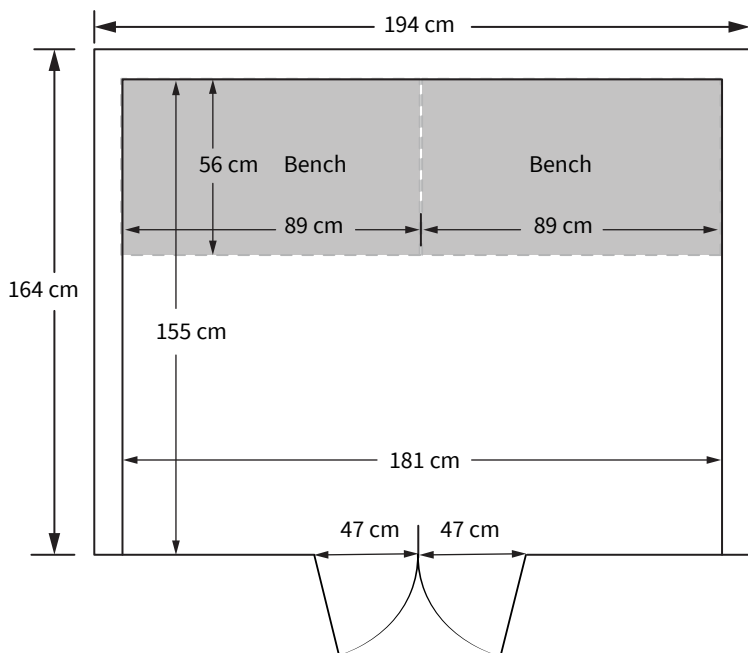
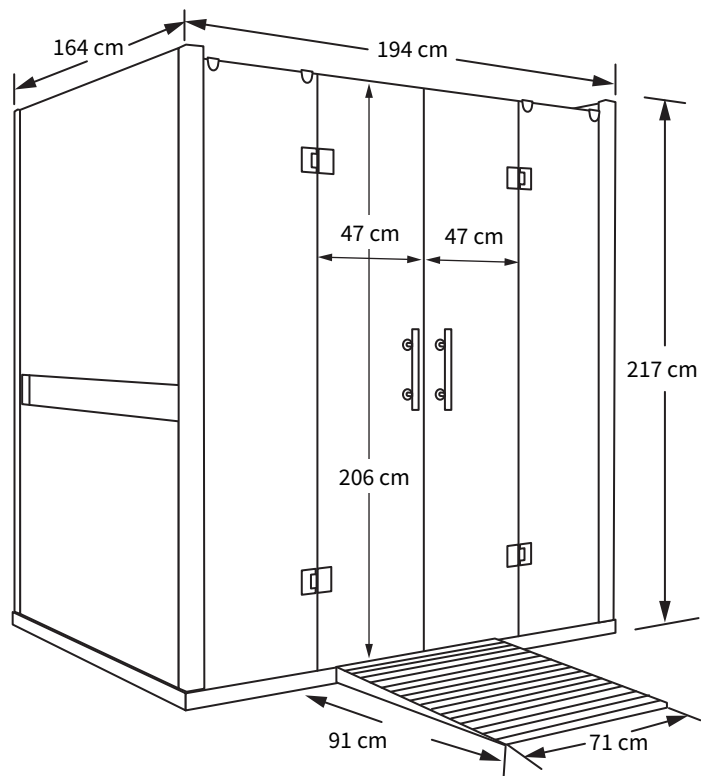
Ramp

Width: 71 cm
Depth: 91 cm
Elevated height: 5.8 cm
Bottom height: 1.7 cm
Slope: 1:12

Heaters

True Wave™ Carbon/Ceramic
Far infrared and full spectrum
Power: 230V / 3,610W / 17A

Full Lifetime Warranty



SPECIFICATIONS

Construction

Eco Certified Grade "A" Clear
Western Red Canadian Cedar
8 mm thick tempered safety glass:
doors & windows
Weight: 354 kg

Exterior

Width: 194 cm
Depth: 164 cm
Height: 217 cm

Interior

Width: 181 cm
Depth: 155 cm
Height: 206 cm
Bench (2):
89 cm x 56 cm

Ramp

Width: 71 cm
Depth: 91 cm
Elevated height: 5.8 cm
Bottom height: 1.7 cm
Slope: 1:12

Heaters

True Wave™ Carbon/Ceramic
Far infrared and full spectrum
Power: 230V / 3,610W / 17A

Full Lifetime Warranty